



WAREWASHING/HANDLING

SERVING THE FOOD INDUSTRY SINCE 1951

## POT SINKS - TWO TUB SINK WITH CENTER / CORNER DRAIN

### FEATURES:

- Comes with drain guards
- 18-gauge stainless steel
- Faucet holes are 1" on center
- Shipped with legs removed
- Drain size: 1.8" / 4.6 cm
- Corner drain or center drain



Authorized Dealer



LIMITED  
WARRANTY

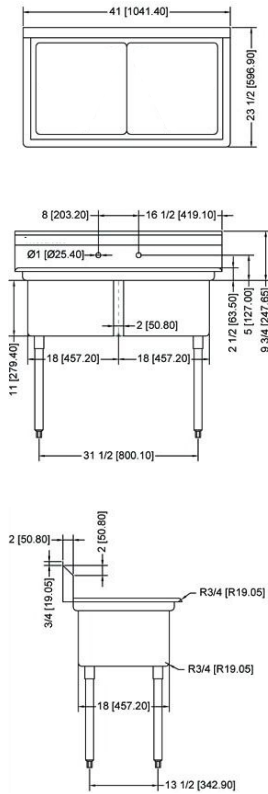


# WAREWASHING/HANDLING

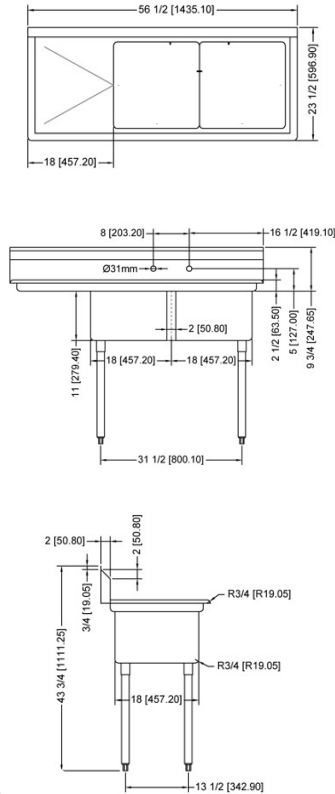
## POT SINK - 18" x 18" x 11" TWO TUB SINK



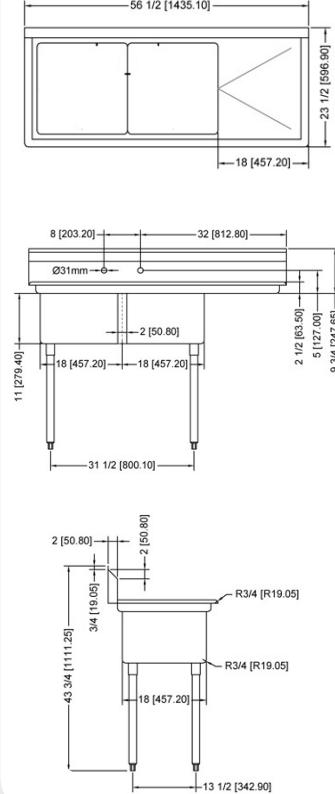
**TWO TUB SINK WITHOUT DRAIN BOARD**



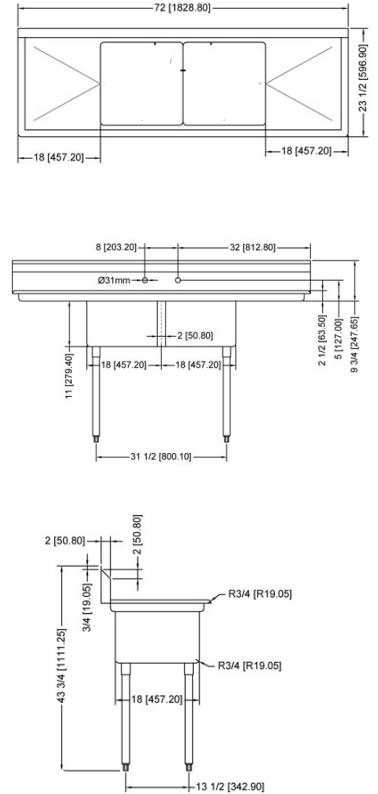
**TWO TUB SINK WITH LEFT DRAIN BOARD**



**TWO TUB SINK WITH RIGHT DRAIN BOARD**



**TWO TUB SINK WITH TWO DRAIN BOARD**



### TECHNICAL SPECIFICATION

| ITEM NUMBER | DESCRIPTION                    | DIMENSIONS OF SINK   | DRAIN BOARD | OVERALL DIMENSIONS                                | WEIGHT           |
|-------------|--------------------------------|----------------------|-------------|---|------------------|
| 22113       | Two tub sink with corner drain | 18" x 18" x 11"      | N/A         | 41" x 23 1/2" x 44"<br>1041.4 x 597 x 1117.6 mm   | 55 lbs/<br>25 kg |
| 43769       | Two tub sink with center drain | 457 x 457 x 279.4 mm |             |   |                  |
| 25250       | Two tub sink with corner drain | 18" x 18" x 11"      | Left        | 56 1/2" x 23 1/2" x 44"<br>1435 x 597 x 1117.6 mm | 88 lbs/<br>40 kg |
| 43768       | Two tub sink with center drain | 457 x 457 x 279.4 mm |             |   |                  |
| 25251       | Two tub sink with corner drain | 18" x 18" x 11"      | Right       | 56 1/2" x 23 1/2" x 44"<br>1435 x 597 x 1117.6 mm | 88 lbs/<br>40 kg |
| 43770       | Two tub sink with center drain | 457 x 457 x 279.4 mm |             |   |                  |
| 25252       | Two tub sink with corner drain | 18" x 18" x 11"      | 2           | 72" x 23 1/2" x 44"<br>1829 x 597 x 1117.6 mm     | 97 lbs/<br>44 kg |
| 43767       | Two tub sink with center drain | 457 x 457 x 279.4 mm |             |   |                  |

### OPTIONAL ACCESSORIES

|       |  |
|-------|--|
| 21136 | Leg brace for 18" x 18" sink                             |
| 21142 | Stainless steel knockdown drain board for 18" x 18" sink |



21142 - Detail 1



21142 - Detail 2

## OMCAN INC.

Telephone: 1-800-465-0234  
 Fax: (905) 607-0234  
 Email: sales@omcan.com  
 Website: www.omcan.com



Follow us to keep up to date with the latest news and offers

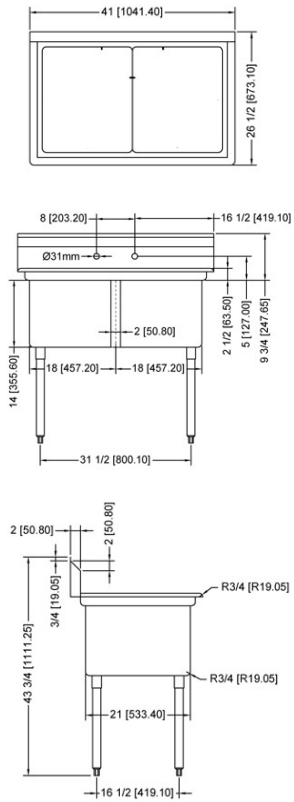


# WAREWASHING/HANDLING

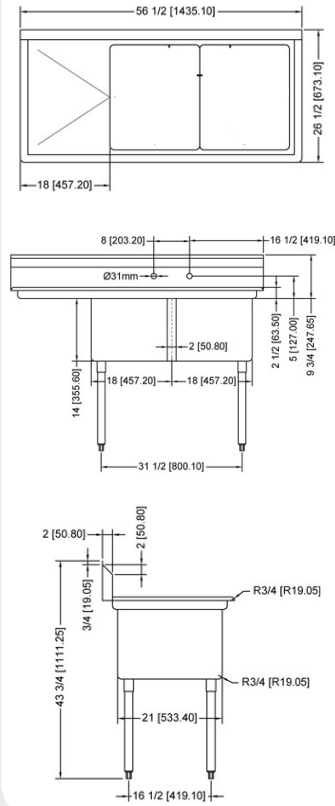
## POT SINK - 18" x 21" x 14" TWO TUB SINK



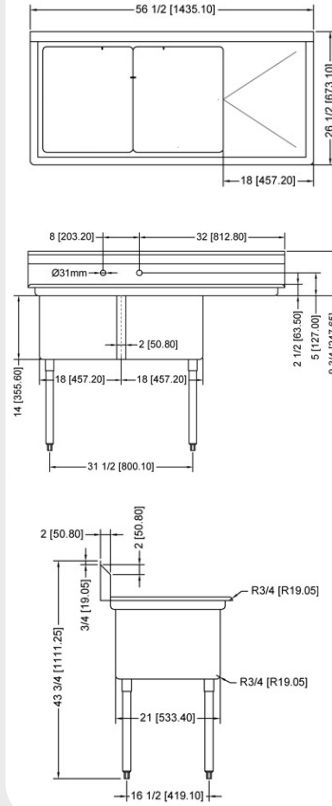
**TWO TUB SINK  
WITHOUT DRAIN BOARD**



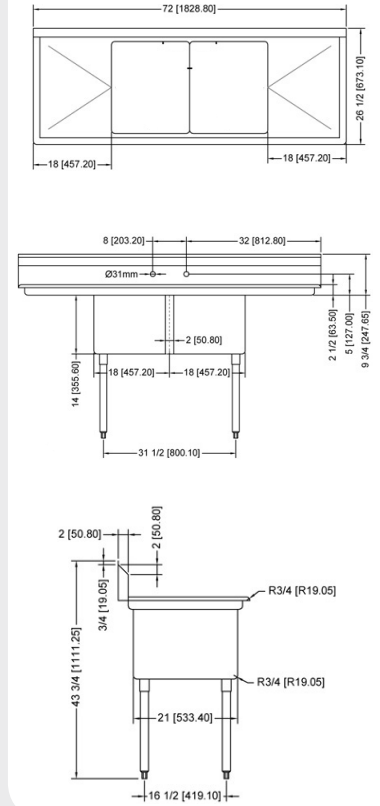
**TWO TUB SINK  
WITH LEFT DRAIN BOARD**



**TWO TUB SINK  
WITH RIGHT DRAIN BOARD**



**TWO TUB SINK  
WITH TWO DRAIN BOARD**



### TECHNICAL SPECIFICATION

| ITEM NUMBER | DESCRIPTION                    | DIMENSIONS OF SINK                       | DRAIN BOARD | OVERALL DIMENSIONS                                 | WEIGHT           |
|-------------|--------------------------------|--|-------------|--|------------------|
| 25266       | Two tub sink with corner drain | 18" x 21" x 14"/<br>457 x 533 x 355.6 mm | N/A         | 41" x 26 1/2" x 44"/<br>1041.4 x 673 x 1117.6 mm   | 77 lbs/<br>35 kg |
| 43780       | Two tub sink with center drain |  |             |  |                  |
| 25267       | Two tub sink with corner drain | 18" x 21" x 14"/<br>457 x 533 x 355.6 mm | Left        | 56 1/2" x 26 1/2" x 44"/<br>1435 x 673 x 1117.6 mm | 86 lbs/<br>39 kg |
| 43779       | Two tub sink with center drain |  |             |  |                  |
| 25268       | Two tub sink with corner drain | 18" x 21" x 14"/<br>457 x 533 x 355.6 mm | Right       | 56 1/2" x 26 1/2" x 44"/<br>1435 x 673 x 1117.6 mm | 86 lbs/<br>39 kg |
| 43781       | Two tub sink with center drain |  |             |  |                  |
| 25269       | Two tub sink with corner drain | 18" x 21" x 14"/<br>457 x 533 x 355.6 mm | 2           | 72" x 26 1/2" x 44"/<br>1829 x 673 x 1117.6 mm     | 95 lbs/<br>43 kg |
| 43782       | Two tub sink with center drain |  |             |  |                  |

### OPTIONAL ACCESSORY

|       |                                      |
|-------|--------------------------------------|
| 31485 | Leg brace for 18" x 21" Two tub sink |
|-------|--------------------------------------|

**OMCAN INC.**

Telephone: 1-800-465-0234  
 Fax: (905) 607-0234  
 Email: sales@omcan.com  
 Website: www.omcan.com



Follow us to keep up to date with the latest news and offers



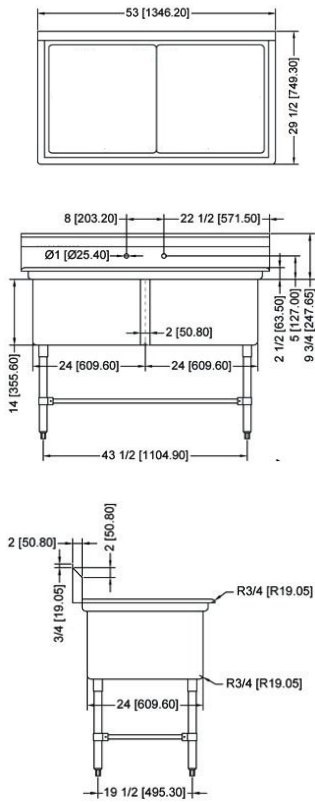
2015.E.O.E

# WAREWASHING/HANDLING

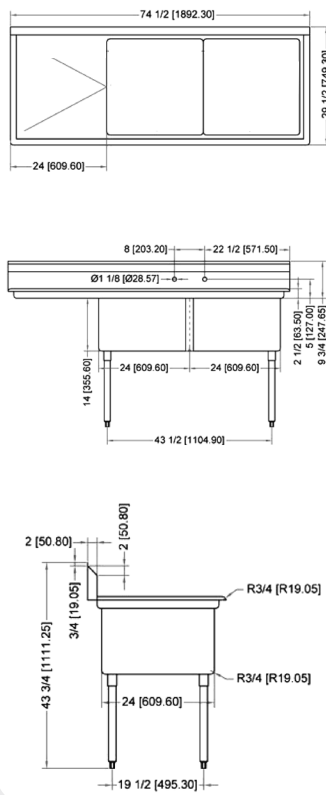
## POT SINK - 24" x 24" x 14" TWO TUB SINK



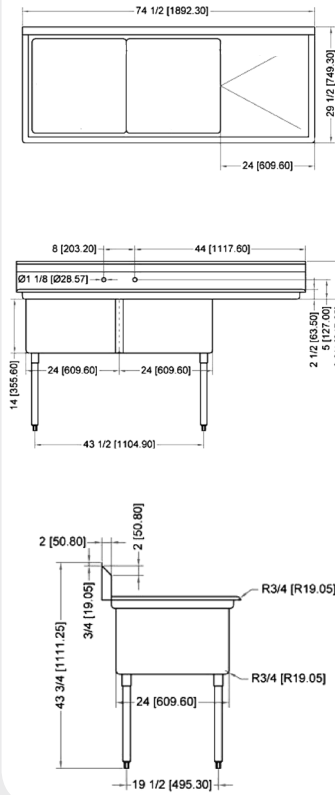
**TWO TUB SINK  
WITHOUT DRAIN BOARD**



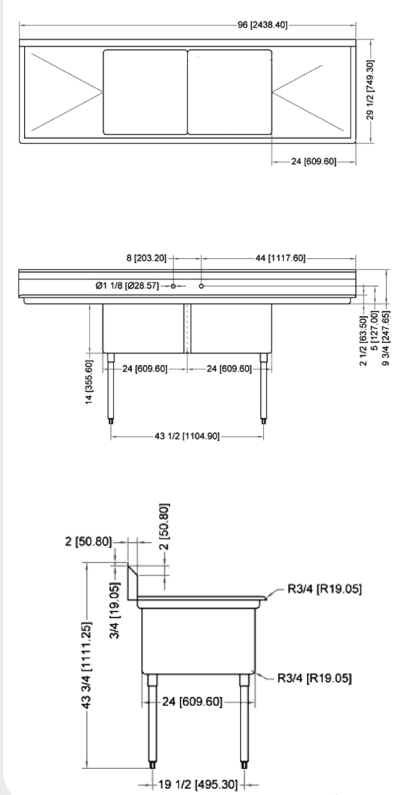
**TWO TUB SINK  
WITH LEFT DRAIN BOARD**



**TWO TUB SINK  
WITH RIGHT DRAIN BOARD**



**TWO TUB SINK  
WITH TWO DRAIN BOARD**



### TECHNICAL SPECIFICATION

| ITEM NUMBER | DESCRIPTION                    | DIMENSIONS OF SINK                           | DRAIN BOARD | OVERALL DIMENSIONS                                 | WEIGHT             |
|-------------|--------------------------------|--|-------------|--|--------------------|
| 22119       | Two tub sink with corner drain | 24" x 24" x 14"/<br>609.6 x 609.6 x 355.6 mm | N/A         | 53" x 29 1/2" x 44"/<br>1346.2 x 749 x 1117.6 mm   | 80 lb/<br>36 kg    |
| 43791       | Two tub sink with center drain |  |             |  |                    |
| 25256       | Two tub sink with corner drain | 24" x 24" x 14"/<br>609.6 x 609.6 x 355.6 mm | Left        | 74 1/2" x 29 1/2" x 44"/<br>1892 x 749 x 1117.6 mm | 106 lb/<br>48 kg   |
| 43790       | Two tub sink with center drain |  |             |  |                    |
| 25257       | Two tub sink with corner drain | 24" x 24" x 14"/<br>609.6 x 609.6 x 355.6 mm | Right       | 74 1/2" x 29 1/2" x 44"/<br>1892 x 749 x 1117.6 mm | 106 lb/<br>48 kg   |
| 43792       | Two tub sink with center drain |  |             |  |                    |
| 25258       | Two tub sink with corner drain | 24" x 24" x 14"/<br>609.6 x 609.6 x 355.6 mm | 2           | 96" x 29 1/2" x 44"/<br>2438 x 749 x 1117.6 mm     | 120 lb/<br>54.4 kg |
| 43793       | Two tub sink with center drain |  |             |  |                    |

### OPTIONAL ACCESSORIES

|       |  |
|-------|--|
| 21140 | Leg brace for 24" x 24" two tub sink                     |
| 21143 | Stainless steel knockdown drain board for 24" x 24" sink |



21143 - Detail 1



21143 - Detail 2

## OMCAN INC.

Telephone: 1-800-465-0234  
 Fax: (905) 607-0234  
 Email: sales@omcan.com  
 Website: www.omcan.com



Follow us to keep up to date with the latest news and offers

